

FIG. 1

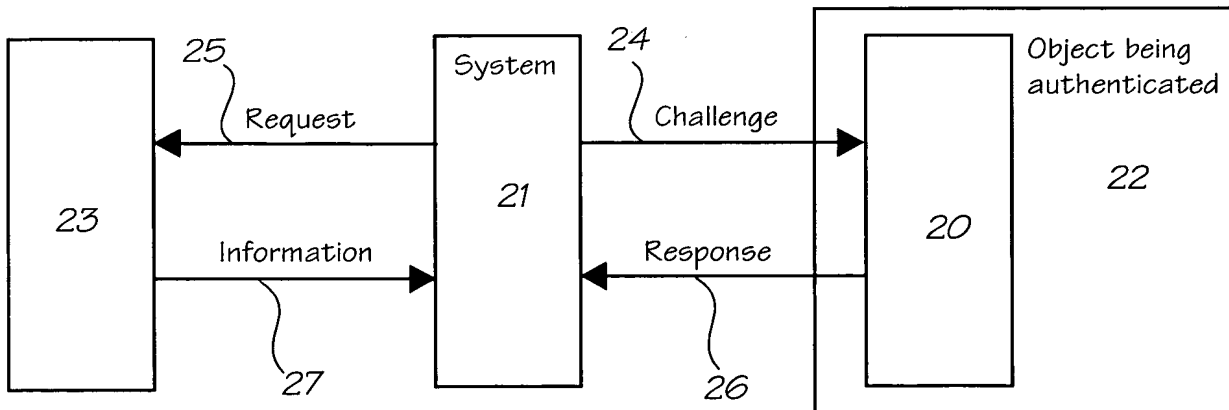


FIG. 2

CONFIDENTIAL

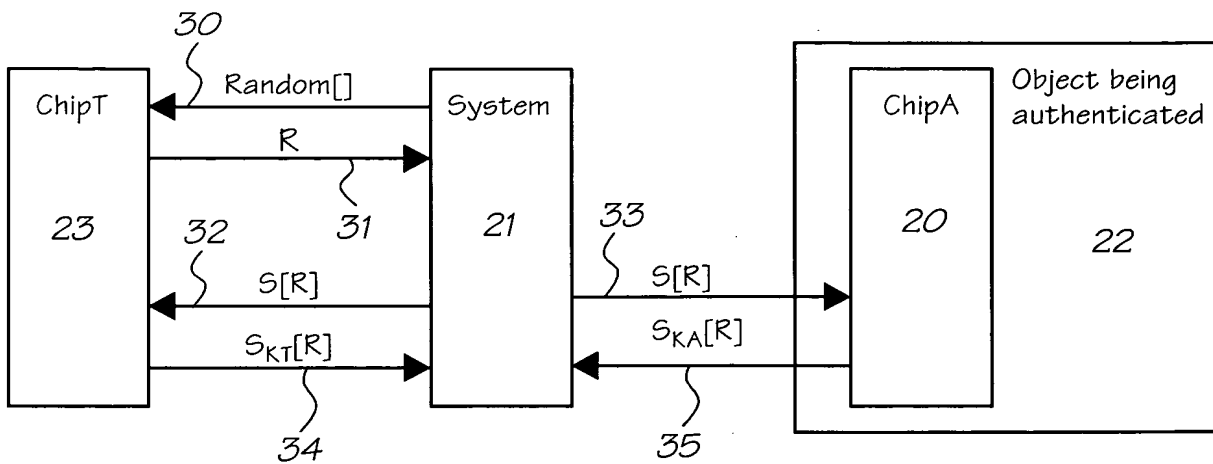


FIG. 3

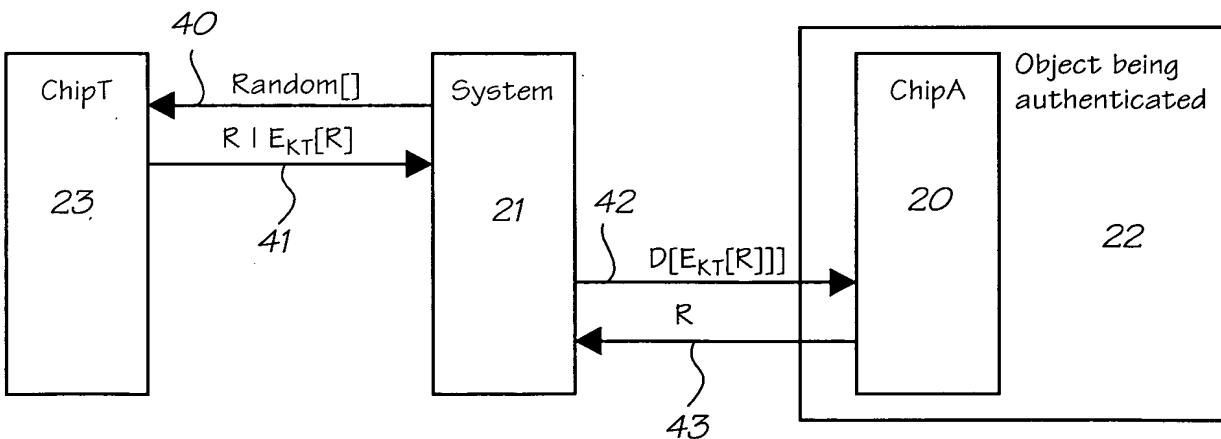


FIG. 4

2025 RELEASE UNDER E.O. 14176

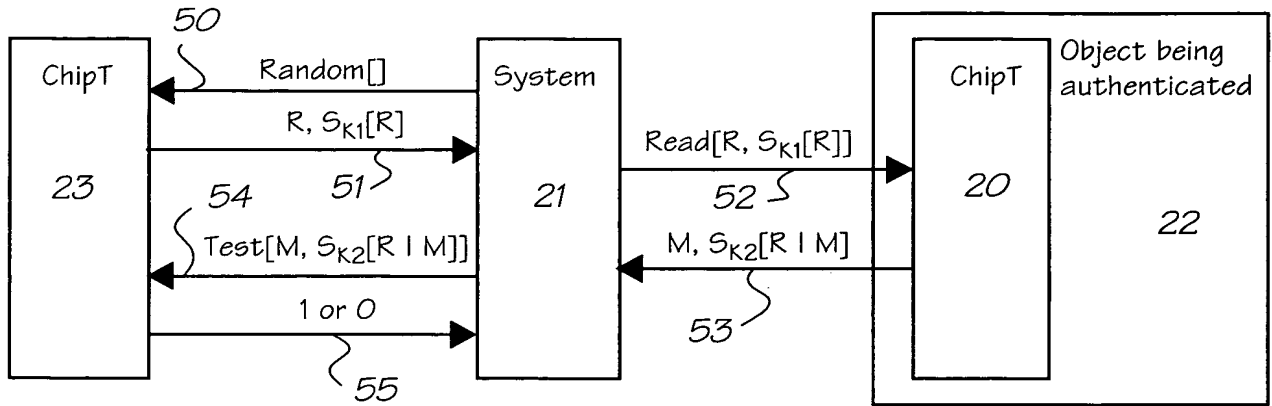


FIG. 5

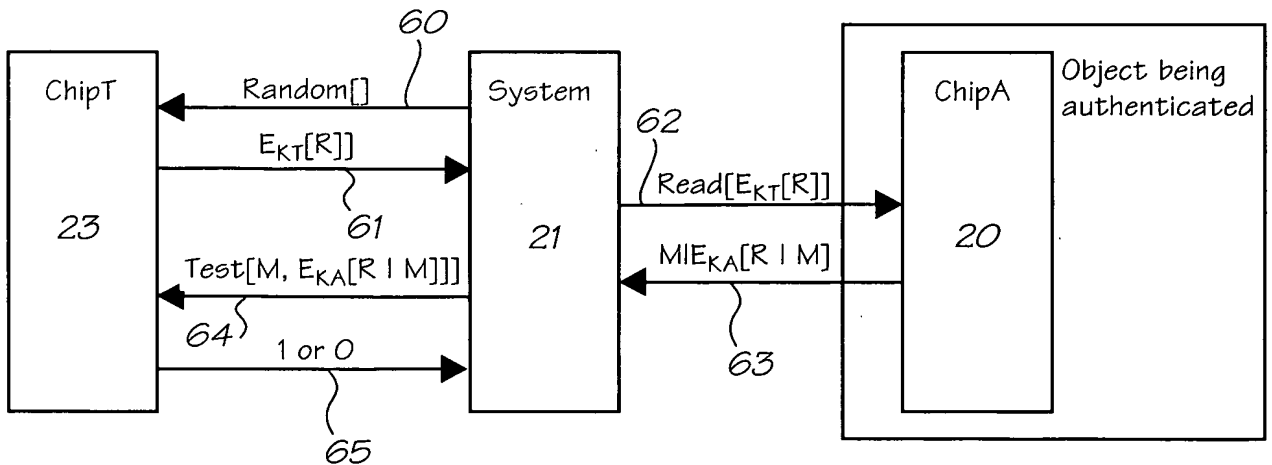


FIG. 6

Patent Application No. 2004/010000

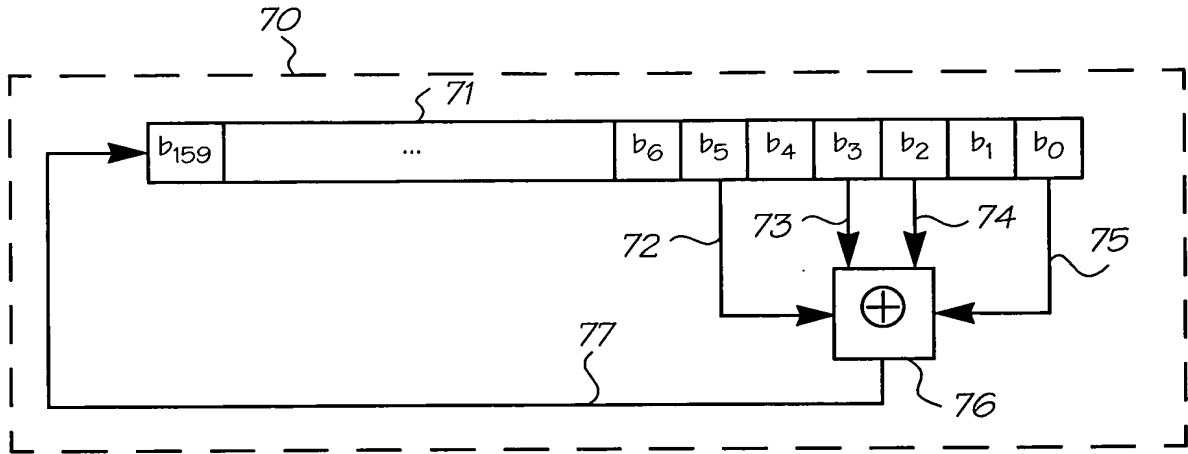


FIG. 7

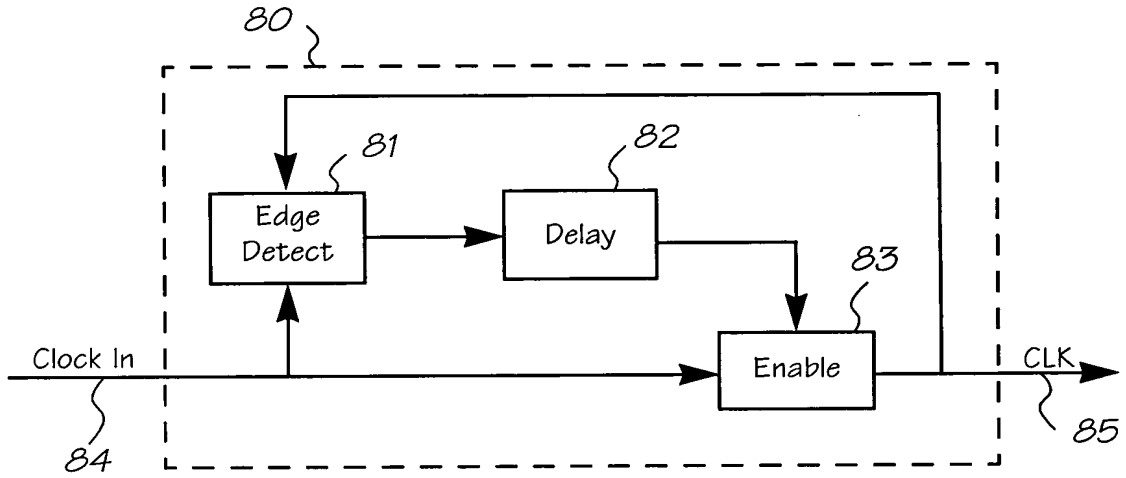


FIG. 8

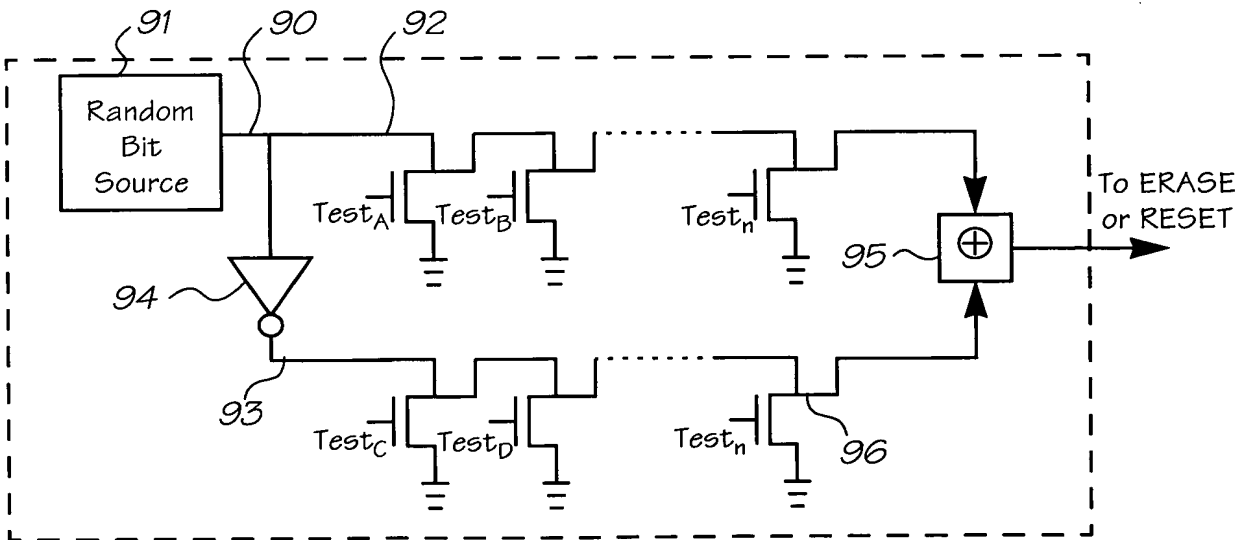


FIG. 9

COPYRIGHT © 1998 BY MICROCHIP CORPORATION

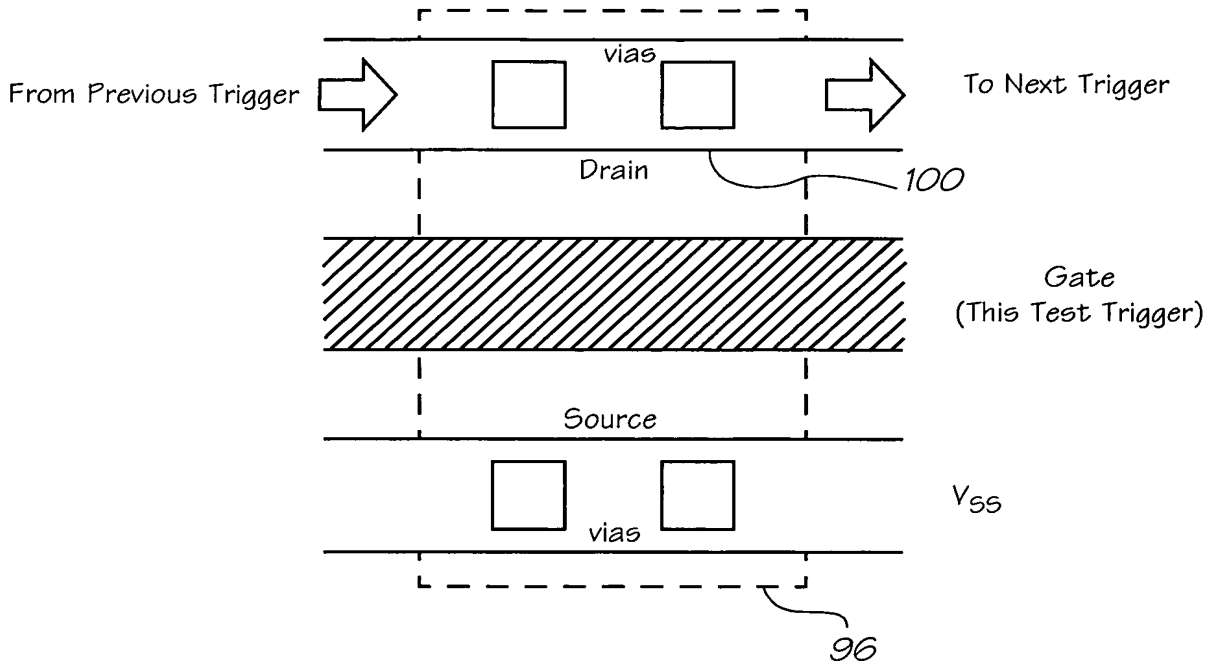


FIG. 10

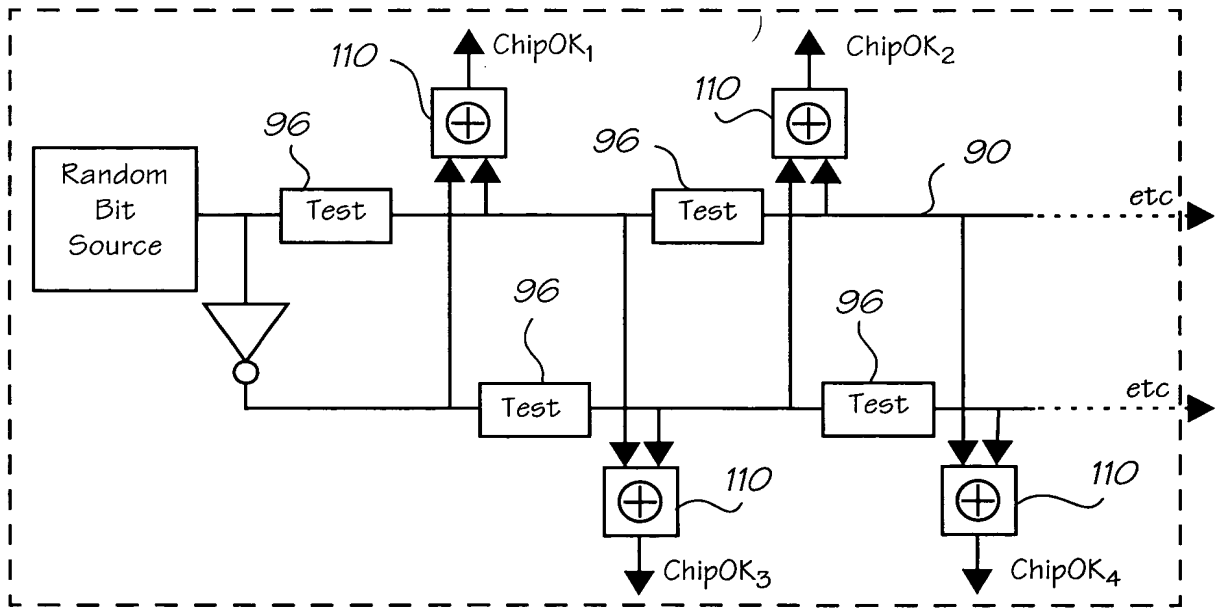


FIG. 11

2025 RELEASE UNDER E.O. 14176

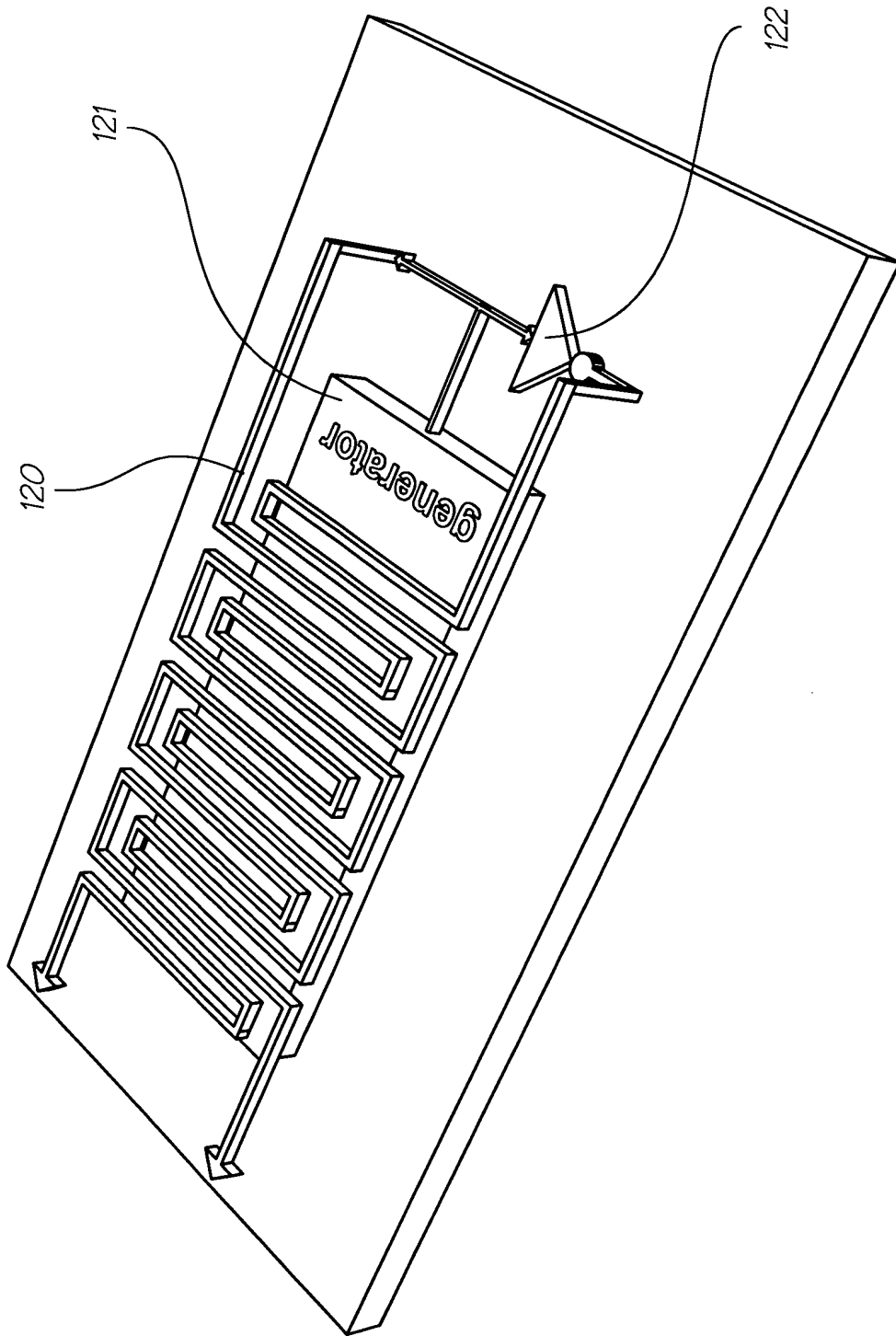


FIG. 12

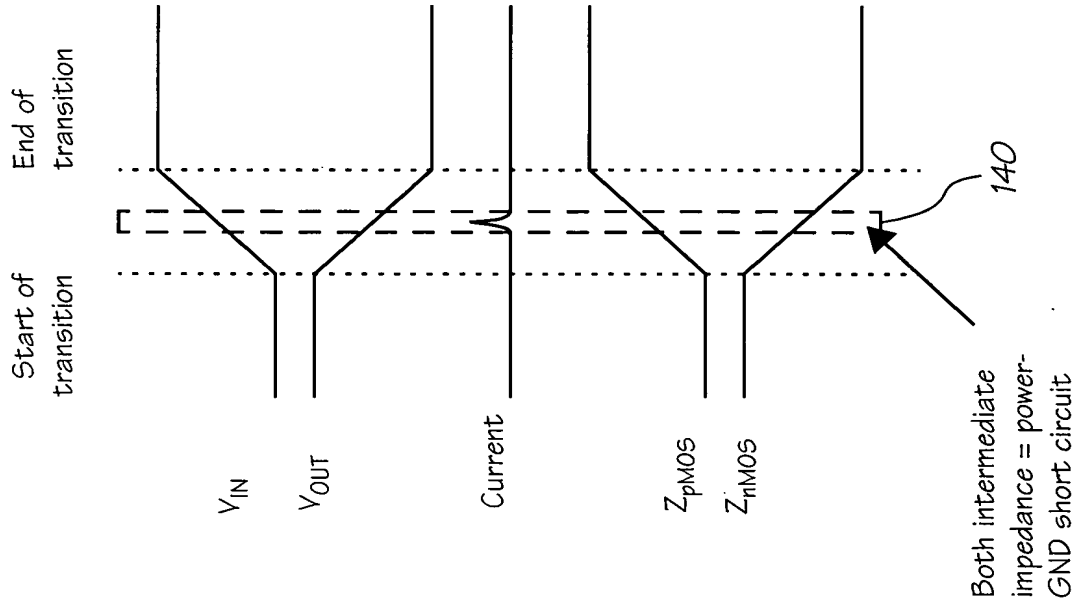


FIG. 14

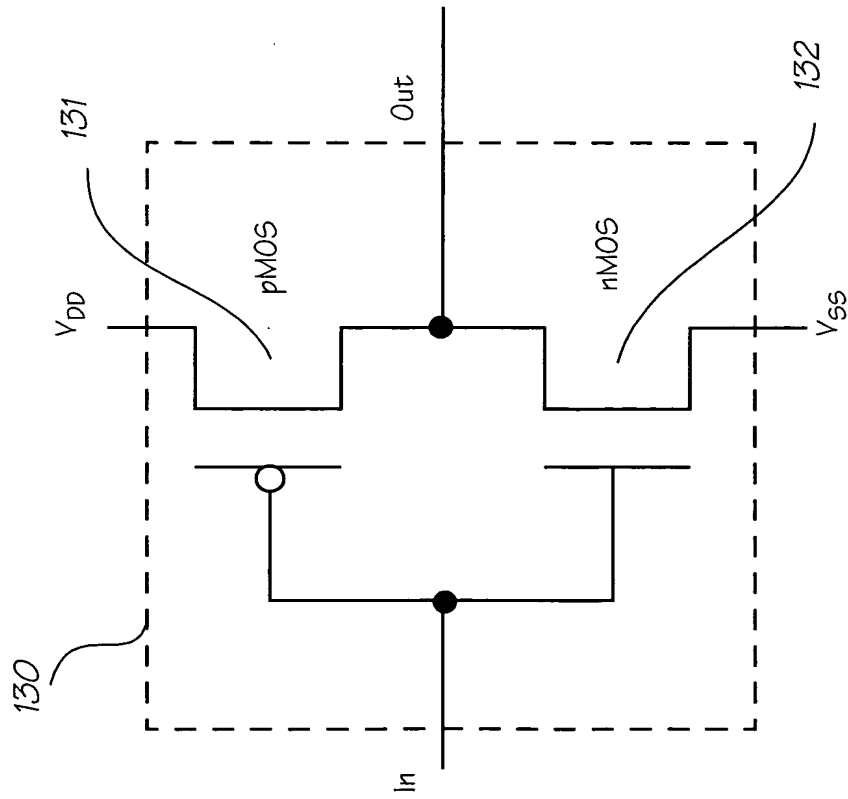


FIG. 13

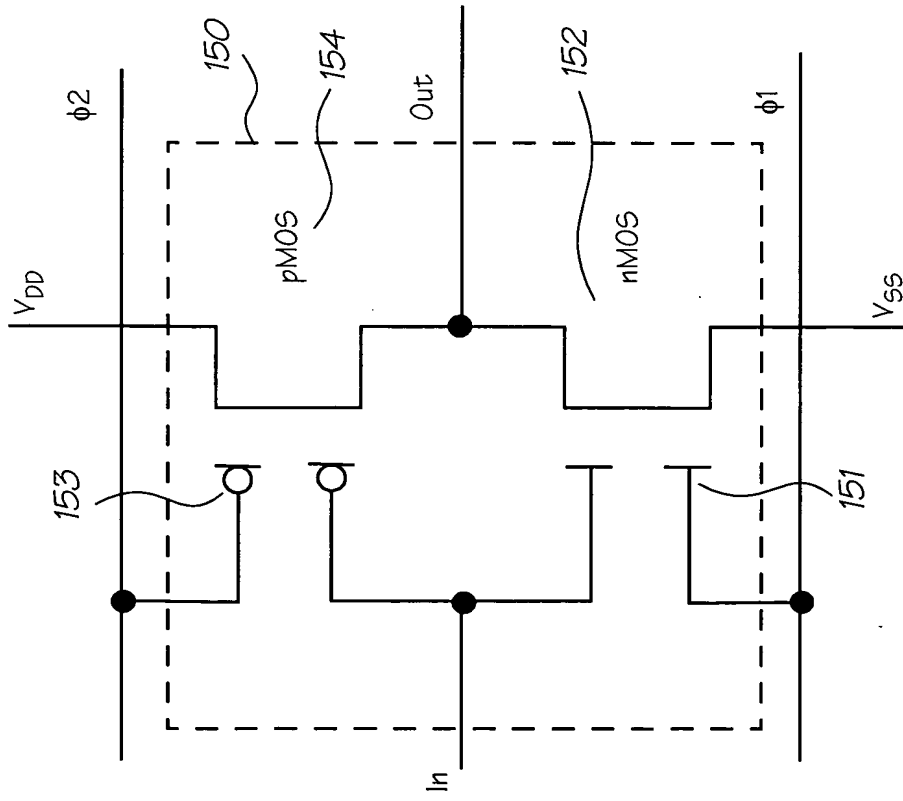


FIG. 15

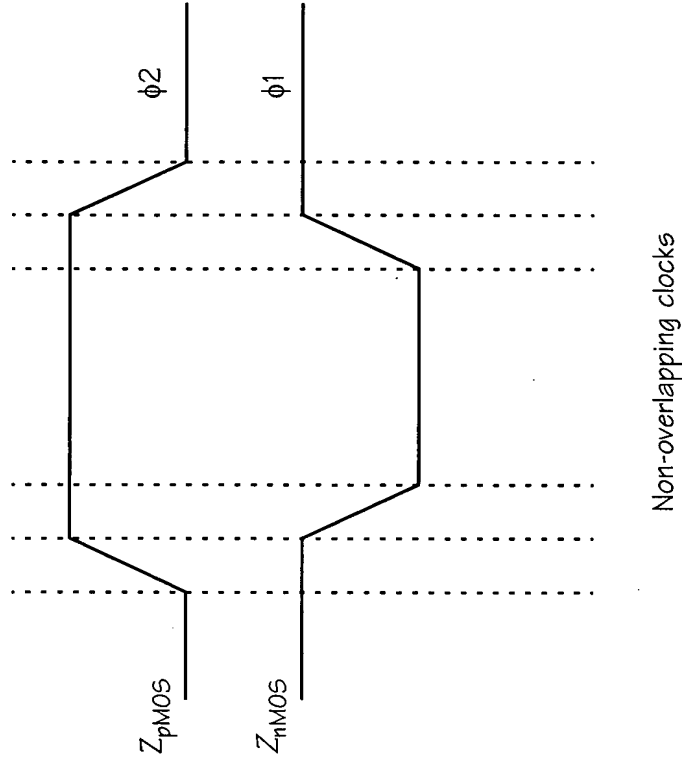


FIG. 16